



INFTS-V90 1000°C V2

Infrared temperature sensor

Range 1000°C
Accuracy 1 % FS
Resolution at 1000°C 15 mV/°C
Response time 50 ms

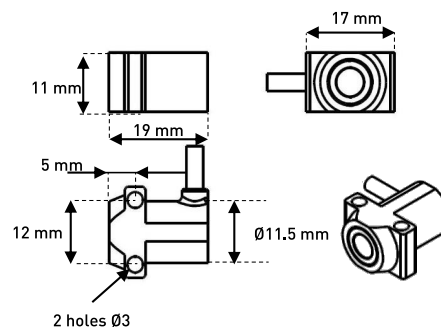
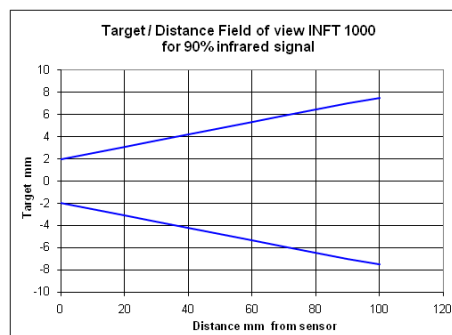
Supply voltage 6 to 16 V
Supply current 1.5 mA
Output signal 0-5 V

Measurement distance 30 to 100 mm
Emissivity 99 %
Field of view (90% radiation) 5 : 1 at 50 mm
Wave length 8 to 14 μm

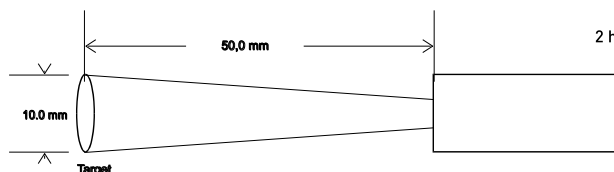
Operating temp -20 to +150°C
Storage temp -40 to +150°C

Material Aluminium
Dimensions 19 x 17 x 11 mm
Weight (without cable) 15 g
Protection IP64
Vibration test 20 Gpp 5'

Calibration table		
° C	Volts Steel	Volts Carbon
0	0.00	0.00
100	0.02	0.02
200	0.07	0.08
300	0.14	0.18
400	0.27	0.36
500	0.49	0.63
600	0.84	1.03
700	1.34	1.60
800	2.02	2.37
900	2.89	3.39
1000	4.01	4.71



Mounting



Red 6 to 16 V
White Signal
Black 0 V
Braid Not connected



INFTS-V90 1200°C V2

Infrared temperature sensor

Range 1200°C
Accuracy 1 % FS
Resolution at 1200°C 12 mV/°C
Response time 50 ms

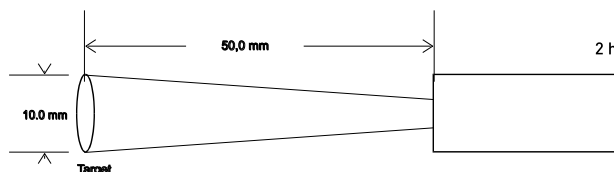
Supply voltage 5 to 16 V
Supply current 1.5 mA
Output signal 0-5 V

Measurement distance 30 to 100 mm
Emissivity 99 %
Field of view (90% radiation) 5 : 1 at 50 mm
Wave length 8 to 14 μm

Operating temp -20 to +165°C
Storage temp -40 to +150°C

Material Aluminium
Dimensions 19 x 17 x 11 mm
Weight (without cable) 15 g
Protection IP64
Vibration test 20 Gpp 5'

Mounting



Red 6 to 16 V
White Signal
Black 0 V
Braid Not connected

Calibration table		
° C	Volts / Steel	Volts / Carbon
0	0,00	0,00
100	0,01	0,01
200	0,04	0,05
300	0,08	0,11
400	0,17	0,21
500	0,30	0,37
600	0,50	0,61
700	0,78	0,94
800	1,17	1,40
900	1,69	2,00
1000	2,37	2,78
1100	3,24	3,76
1200	4,34	4,99

