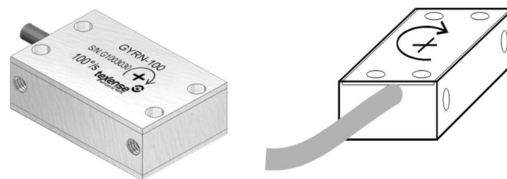


GYRP-1 Axis

1 axis gyroscope



Range
Accuracy
Sensitivity
Cut off frequency 1st order

$\pm 50, \pm 100, \pm 150 \text{ }^\circ/\text{s}$
 2 %
 40, 20, 13.3 mV/ $^\circ/\text{s}$
 50 Hz

Supply voltage
Supply current
Linear analog output
Output signal $^\circ/\text{sec}$
Output impedance

5 to 16 V
 5 mA
 0 – 5 V
 $2.5 \pm 0.1 \text{ V}$
 47 Ω

Zero drift (20 to 80°C)
Gain drift (20 to 80°C)

25 mV
 $\pm 1 \%$

Dimension
Material
Weight
Protection

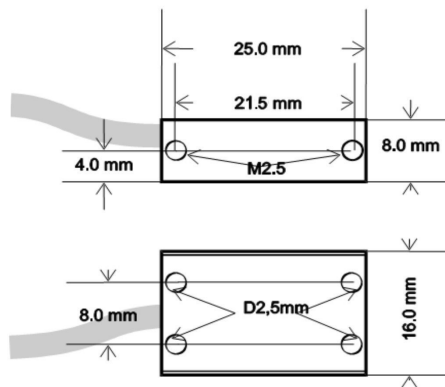
25x16x8 mm
 Aluminium
 15 g
 IP66

Vibration test
Shock

20 Gpp 5'
 500 G

Operating temp
Storage temp

-40 to +105°C
 -40 to +125°C



Calibration table			
$^\circ/\text{s}$	$\pm 50^\circ/\text{s}$ 40mV/ $^\circ/\text{s}$	$\pm 100^\circ/\text{s}$ 20mV/ $^\circ/\text{s}$	$\pm 150^\circ/\text{s}$ 13,3mV/ $^\circ/\text{s}$
-150			0,5
-100		0,5	1,17
-50	0,5	1,5	1,83
0	2,5	2,5	2,5
+50	4,5	3,5	3,17
+100		4,5	3,83
+150			4,5

Out of Range

Examples of inertial units with Texense Gyros and Accelerometers



Ordering ref - ex : GYRP - 100
 GYRP - Range
 50($^\circ/\text{s}$)
 100($^\circ/\text{s}$)
 150($^\circ/\text{s}$)

1 m cable of 3X26AWG FEP
 tinned copper braided cable 250V 200°C

Red
Black
White
Braid

Supply
 0 V
Signal
 Not connected

In the interest of continuous product improvement, we reserve the right to alter without prior notice the specifications and features described in this document.