



## INF-V4

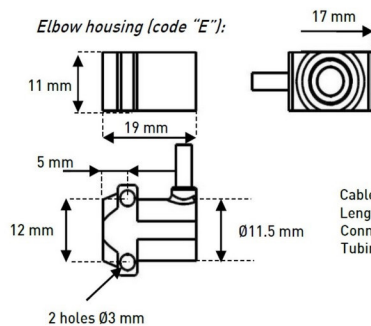
High ambient temp. IR temperature sensor

Optional linearization and temperature compensation device

### Sensor

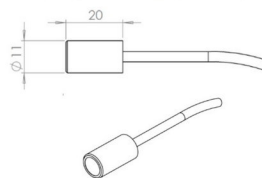
Range	500 or 1000 or 1200 degC
Response time	50 ms
Supply voltage	12V supply code: 6 to 16V 5V supply code: 5V
Supply current	1.5mA
Output voltage	0-5V
Measurement distance	20 to 100mm
Material	Aluminum
Weight	5g
Protection	IP64
Vibration test	20Gpp 5'
Shock	500 G
Operating temp.	12V supply code: -20 to +180 degC 5V supply code: -20 to +200 (1000 hours max above 180°C)
Storage temp.	-40 to +150 degC

Elbow housing (code "E"):

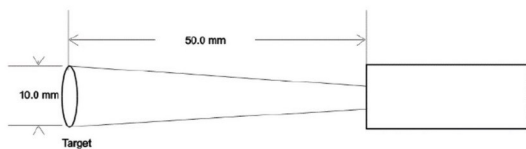


Cable: 5x28 awg Raychem 55M  
Length: 1000 mm +/- 10%  
Connector: N/A.  
Tubing: 1/8 RW-200-E-

Straight housing (code "S"):

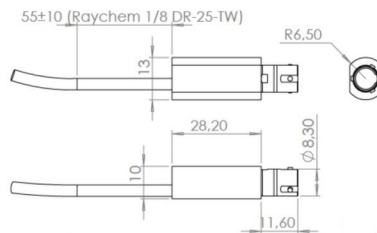


Ordering ref:	
INF-Range-V4-Housing-Supply	
500: 500°C	E: Elbow
1000: 1000°C	S: Straight
1200: 1200°C	
1300: 1300°C	
	5V: Regulated 5V
	12V: 6 to 16V



### Linearization device

Range analog input	0 to 5V
Accuracy analog input	±1.5 mV
Sampling freq.	500Hz
Range RTD measurement	100Ω to 1MΩ
Accuracy	±1Ω (in the range 800 Ω to 2500 Ω)
RTD temp. calculation	PT 1000
Range	-40 to +400°C
Analog output	0-5V: 0.5V at 25°C / 4.5V at FS



Ordering ref:	
LTC-IR-Range(°C)	
500	
1000	
1200	
Ex: LTC-IR-1000	

Contact us for common electrical characteristics