



INFKL-800 Brake Disk Infrared Temperature Sensor

Range 800°C
Supply 5 Volts
Output 0 V to 5 V
Sensitivity Signal 5 mV/°C
 0.5 V at 0°C
 4.5 V at 800°C
Accuracy 3 % FS
Response Time 100 ms
Supply Current 1.5 mA

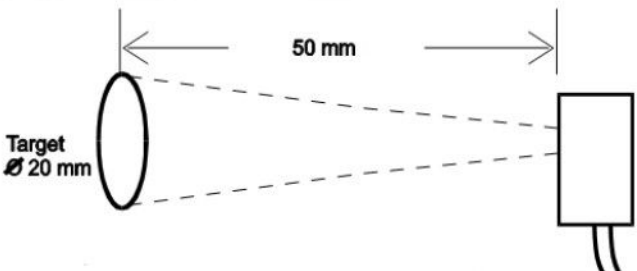
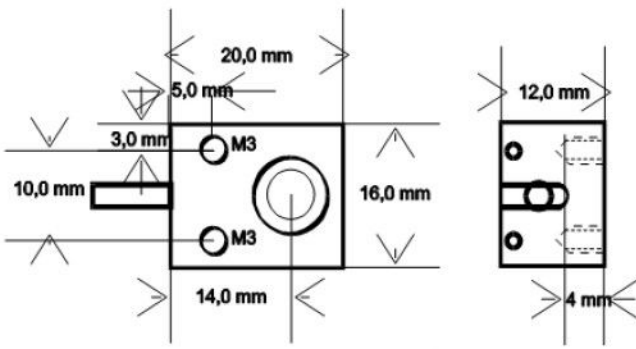
IR Wave Length 8 to 14 μm
Emissivity 99 %
Calibrator Land P550P
Protection IP64
Vibration Test 20 Gpp 5'
Shocks 500 G
Operating Temperature 0 to 40 °C (0 to 60 °C for range 800)
Storage Temperature -40 to +125 °C

Housing Aluminium
Dimensions 20 x 16 x 12 mm
Weight 15 g

Measurement Distance 30 to 150 mm
Field of View 2.5 : 1

° C	Volts
	800
	5mV/°C
0	0,50
20	0,60
40	0,70
60	0,80
80	0,90
100	1,00
120	1,10
140	1,20
160	1,30
180	1,40
200	1,50
300	2,00
400	2,50
500	3,00
600	3,50
700	4,00
800	4,50

Colour	Function	Pin
Red	5V	
White	Signal	
Black	0 V	



A damaged or dirty lens will reduce the output signal.
Clean lens with pure alcohol only.

In the interest of continuous product improvement, we reserve the right to alter, without prior notice the specifications and features described on this document.